

Ultrasafe
Permanent Earthing Systems

Ultrasafe
ZoGEM
Powerset

Test Report /
Certification

CPRI

TEST REPORT



Central Power Research Institute

(A Govt. of India Society)

P.B.No. 8066, Sadashivanagar Post Office,

Sir C.V. Raman Road,

Bengaluru - 560 080 (INDIA)

CENTRAL POWER RESEARCH INSTITUTE
(Member of STL)



CPRI

TEST REPORT

Test Report Number SC16424A **Dated:** 10th August, 2016

Name & Address of the Customer M/s. Infinite Electrotech Pvt. Ltd
No.29, Dhankodi Raja Street,
Ekattuthangal, Chennai – 600 097,
Tamilnadu.

Name & Address of the Manufacturer M/s. Infinite Electrotech Pvt.Ltd
No.29, Dhankodi Raja Street,
Ekattuthangal, Chennai – 600 097,
Tamilnadu.

Particulars of sample tested GI Earthing Electrode
Condition of the sample on Receipt New

Type ---
Designation ---
Serial Number(s) ---
Number of samples tested One
Date (s) of test (s) 9th August, 2016
CPRI sample code no(s). SC16S0814

Particulars of tests conducted Short-time withstand current
Test in accordance with Customer's instruction
Standard / specification Not applicable
Sampling plan 16kA rms for 1.0 s (Symmetrical)
Customer's requirement ---
Deviations if any ---

Name of the witnessing persons

Customer's representative Mr. Anirudha Basu, General Manager &
Mr. Sriram Ganapathy
Other than customer's representative None

Test subcontracted with address of the laboratory None

Documents constituting this report (In words)

Number of sheets Four
Number of oscillograms One
Number of graphs Nil
Number of photos Two
Number of test circuit diagrams One
Number of drawings One

(Sakthivel. P)
Test Engineer



(Swaraj Kumar Das)
Joint Director

Sheet 1 of 4

CENTRAL POWER RESEARCH INSTITUTE
(Member of STL)



CPRI

Report Number: SC16424A

Dated: 10th August, 2016

Description of sample tested (ratings as assigned by the manufacturer)

Test sample	GI Earthing Electrode
Type	---
Designation	---
Serial Number	---
Size & Length of Earthing Electrode	76mm dia (OD), 70 mm dia (ID) & 3200 mm long with 50 x 10 GI strip
Rated short-time withstand current	16 kA rms for 1.0 s (Symmetrical)

Documents attached to this report

Oscillogram number(s)	SC16424A.S01
Photograph number(s)	SC16424A.PB1 & SC16424A.PA1
Test circuit diagram number(s)	CRTL/SC/STC-01A
Drawing number (s)	IET_001


Test Engineer

Sheet 2 of 4



Report Number: SC16424A

Dated: 10th August, 2016

NOTE

- The Test results relate only to the item(s) tested.
- a) Publication or reproduction of this report in any form other than by complete set of the whole test report / Certificate and in the language written is not permitted without the written consent of CPRI.
 - b) Any Corrections / erasure invalidate the test Report/Certificate.
 - c) Any anomaly / discrepancy in the test report / Certificate should be brought to notice of CPRI within 45 days from the date of issue.
 - d)

Additional Information:

This is not a certificate of rating. A certificate of rating is not issued as only limited tests as requested by the customer were carried out.

CPRI issues following types of reports/certificates:

Test Report:

The test report contains the record of the values of test parameters as obtained during testing, the physical condition of the sample during / after the test(s) and copy of oscillogram(s). Test report is issued when partial tests are performed as against the complete test requirement for proving specific ratings.

Sealed Certificate:

The sealed certificate is issued, on request and payment of the prescribed charges thereof only when the sample of particular type and rating has satisfactorily passed all the specified tests in compliance with the condition stipulated in a published National / International standard.

CPRI issues the following type test certificates based generally on STL Guidelines:

- I. Type test certificate of Short Circuit Performance.
- II. Type test certificate of Switching Performance.
- III. Type test certificate of Temperature Rise Performance.
- IV. Type test certificate of Dielectric Performance.
- V. Type test certificate of complete type test.


Test Engineer

Sheet 4 of 4



लघु पथन प्रयोगशाला
 Short-Circuit Laboratory
 केंद्रीय विद्युत अनुसंधान संस्थान
 Central Power Research Institute
 बंगलूरु / Bengaluru - 560 030


 TEST ENGINEER

170.10 milli seconds

SC16424A.S01 Dt: 8/9/2016

CENTRAL POWER RESEARCH INSTITUTE
(Member of STL)



CPRI



Mounting arrangement (Before test)

SC16424A.PB1


Test Engineer

SHORT-CIRCUIT LABORATORY
P. B. NO. 8066, SADASHIVANAGAR POST OFFICE
SIR C.V. RAMAN ROAD, BENGALURU - 560 080 (INDIA)
Phone : +91 (0) 80 - 23602662 Fax : +91 (0) 80 - 23601213

CENTRAL POWER RESEARCH INSTITUTE
(Member of STL)



CPRI



Condition of the sample (After test)

SC16424A.PA1

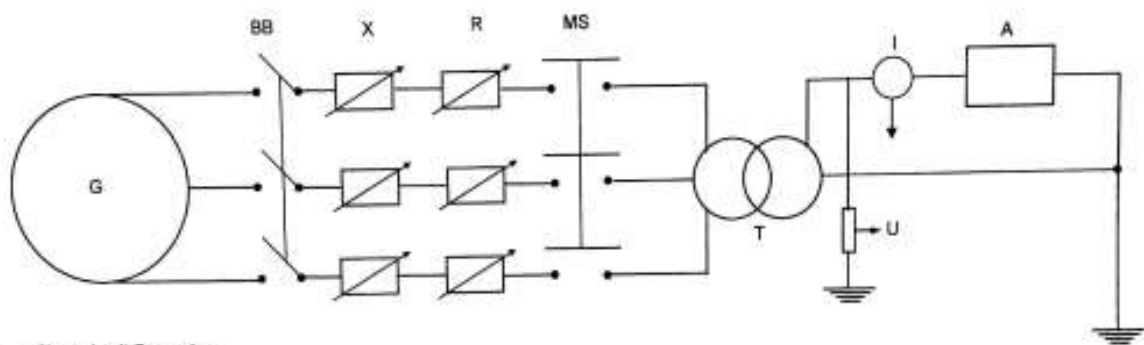

Test Engineer



CPRI

Schematic of main & measurement circuits - Single phase test

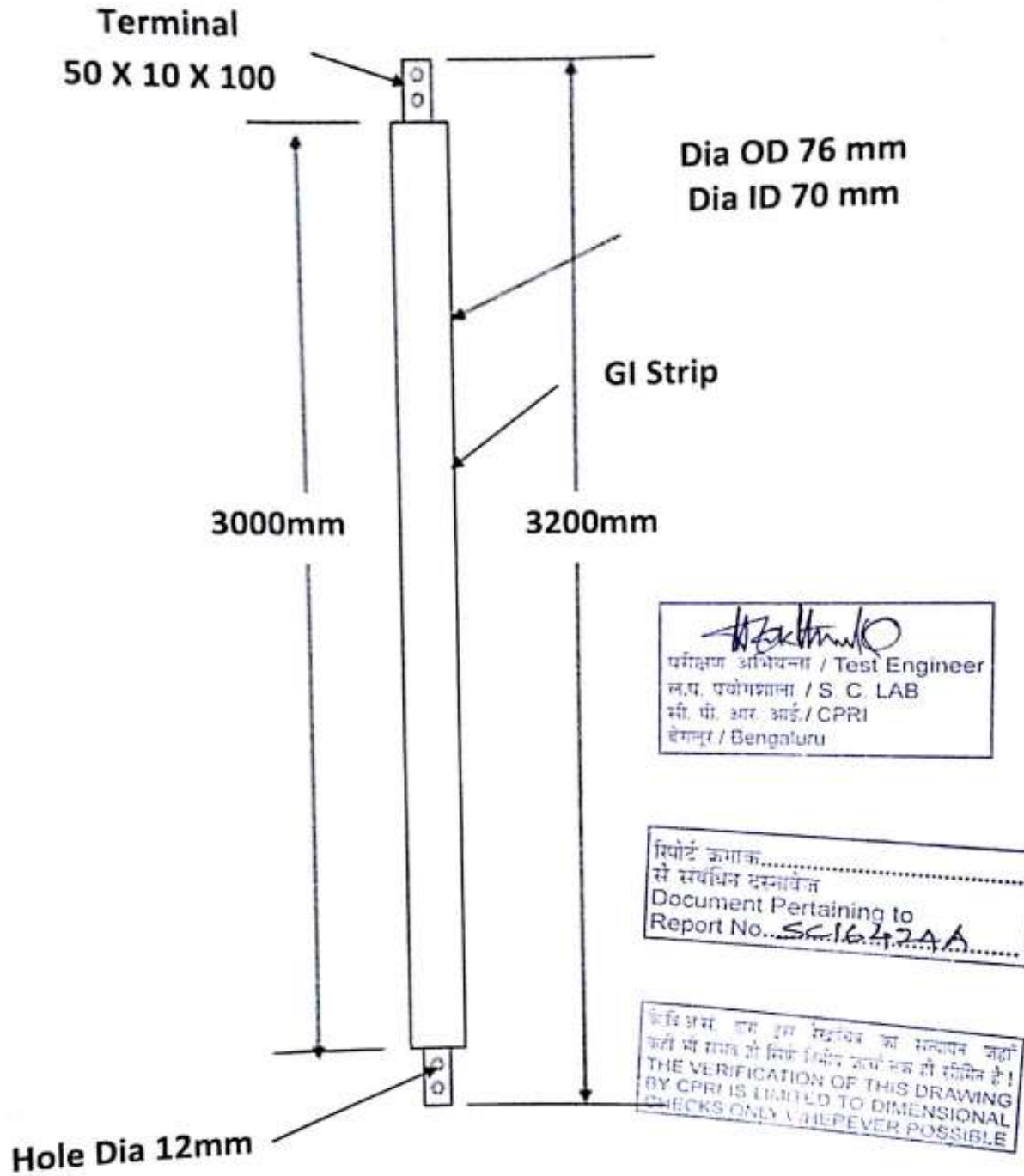
Circuit Number. CRTU/SC/STC-01A

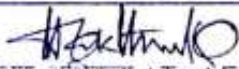


- G Short-circuit Generator
- BB Back up Circuit Breaker
- X Reactance
- R Resistors
- MS Make Switch
- T Step-down transformer
- A Sample under test
- I Current Sensor
- U Voltage divider

[Signature]
Test Engineer

Ultrasafe PIP HDGI Earthrod




 परीक्षण अभियन्ता / Test Engineer
 ल.प. एकेमशाला / S. C. LAB
 सी. पी. आर. आई. / CPRI
 बेंगलूरु / Bengaluru

रिपोर्ट क्रमांक.....
 से संबंधित दस्तावेज
 Document Pertaining to
 Report No... SC-16/2011

चेकिंग कर, हम इस दस्तावेज का सत्यापन नहीं
 करी भी साथ ही निम्न लिखित कार्य तक ही सीमित है।
 THE VERIFICATION OF THIS DRAWING
 BY CPRI IS LIMITED TO DIMENSIONAL
 CHECKS ONLY WHEREVER POSSIBLE

Drg No: IET_001
Dimension Tolerance +/- 3 %

Ultrasafe PIP HDGI Earthrod		
Dia 76 x 3000mm		
INFINITE ELECTROTECH PVT LTD No 29 CHANCO ROAD STREET BHATTANGAL, CHENNAI - 500 067		